



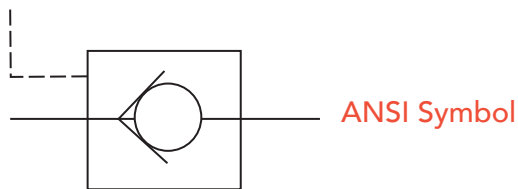
KEPNER

PRODUCTS COMPANY

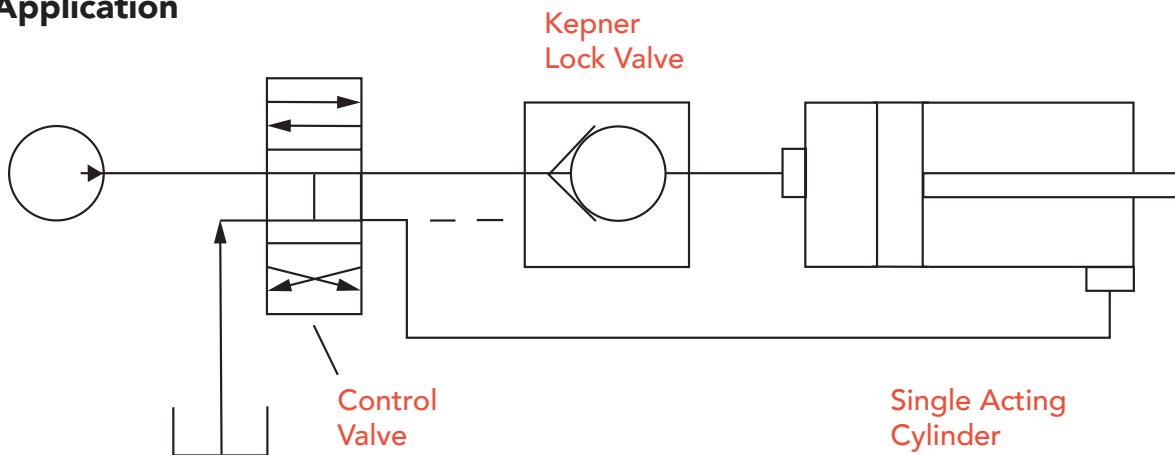
Kep-O-Lok® Single Lock Valves

Kep-O-Lok® 2700 series Single Lock valves have the Zero Leakage *Flexible Seal Seat™* and are primarily used as cylinder holding valves. The valve free flows from valve port to cylinder port and checks reverse flow until the pilot is energized. The valve opens to reverse flow on application of pilot pressure.

All pilot ports are 1/4 NPTF female pipe. Pipe threads are NPTF (Dryseal) female. SAE ports are internal straight thread O-Ring boss. Conforms to MS 16142 (SHIPS)



Typical Application



The cylinder is held locked against retracting by the Kep-O-Lok® Valve as long as the directional control valve is centered. When the control valve is shifted to the retract position, oil pressure in the line to the piston rod end is used to pilot the lock valve open. The cylinder then retracts.

Kep-O-Lok® valves are used in clamping and position holding applications; and for safety holding against line rupture or control valve leakage.

Consult Factory or Distributor for more help. Customer/user is solely responsible to select products suitable for their specific application requirements and to ensure proper installation, operation and maintenance of these products. Improper selection or use of products can cause personal injury or property damage. All sales are subject to Kepner Products Company Standard Terms and Conditions of Sale. Designs are subject to change without notice.